

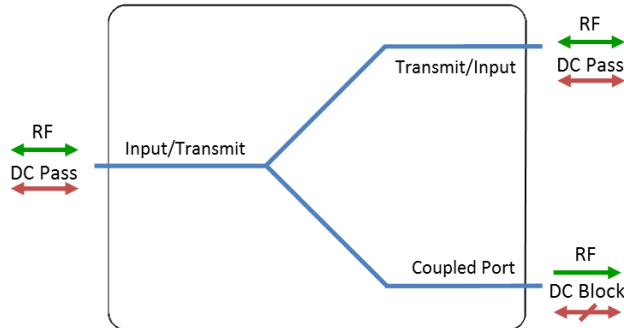


Model Number:
CPLxxKXP-4349

RF Components

Wideband Directional Coupler

0.5-18 GHz



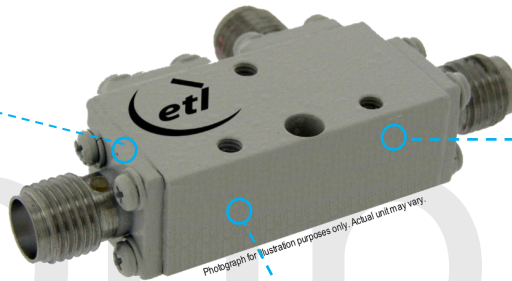
- Wide band 0.5-18 GHz
- 10 or 20 dB coupling

Available with RF connector options:

- 50 Ω SMA
- 50 Ω N-type



0.5-18 GHz
Operating frequency range. L, S, C, X & Ku band ready.



Compact
Housed in rugged compact enclosure

Flexible Mounting
Through hole mounting options

RF Parameters					
CPLxxKXP-4349		S5S5/N5N5			
Frequency Range		0.5-18 GHz			
RF Connectors		SMA 50 ohm		N-type 50 ohm	
Coupling Factor (dB)		10 \pm 1.0	20 \pm 1.0	10	20 \pm 1.0
Insertion loss* (dB)	Max.	1.2	1.5	1.8	1.0
Thru Line Flatness (dB)	Max.	\pm 1.2	\pm 1.2	\pm 1.2	\pm 1.2
Return Loss (dB) Thru line	Typ.	15	15	15	15
	Min	12	12	12	12
Return Loss (dB) Coupled port	Typ.	15	15	15	15
	Min	12	12	12	12
Directivity** (dB)	Min	10	12	12	12

* Excluding coupling loss
**Directivity across frequency band will vary.

Broadcast



Marine Oil & Gas



SNG & VSAT



Satellite Teleport





RF Components

Model Number:
CPLxxKXP-4349

Wideband 0.5-18 GHz 10 / 20 dB coupler

Technical specifications and operating parameters

Environmental		
Operating Temperature		-45°C to +85°C
Storage Temperature		-45°C to +85°C
Location		Indoor use Only
Humidity	Max	85% non-condensing
Altitude	Max	10,000 feet

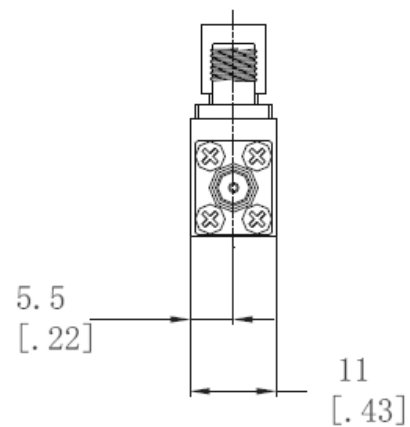
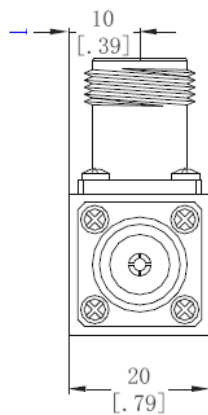
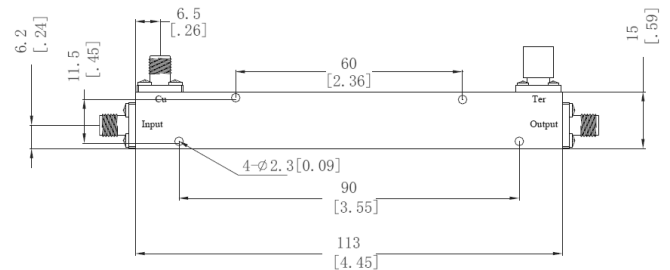
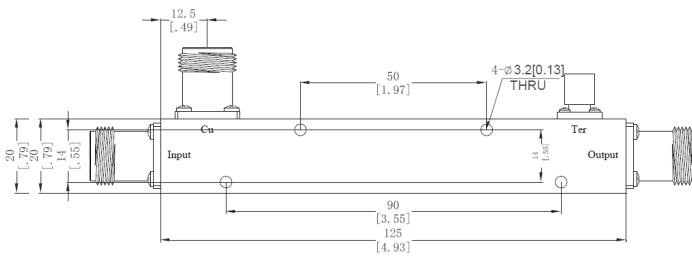
Max Operating Parameters	
Input RF Power	+47 dBm 50W (forward)

! Operation beyond these limits may cause instantaneous and permanent damage.

Physical Dimensions (mm)

50 Ω N-type

50 Ω SMA



ETL SYSTEMS LIMITED
Coldwell Radio Station
Madley
Hereford
England HR2 9NE

TELEPHONE
+44 (0)1981 259020

EMAIL
info@etlsystems.com

FACSIMILE
+44 (0)1981 259021

WEB
www.etlsystems.com

